

PRESSURE SENSOR MODULE :
 DRUCKSENSORMODUL :
 MODULE DE CAPTEUR DE PRESSION :
 MODULO DI SENSORE DI PRESSIONE :

MEASURING PRINCIPLE:PIEZO-RESISTIVE
 MESSPRINZIP :PIEZORESISTIV
 PUINCIPE DE MESURE :PIEZORESISTIV
 PRINCIPIO DI MISURA :PIEZORESISTIVO

SUPPLY VOLTAGE
 SPEISESPANNUNG : 5 V DC ±5%
 TENSION D'ALIMENTATION
 TENSIONE D'ALIMENTAZIONE

TOTAL CURRENT CONSUMPTION
 GESAMTSTROMAUFNAHME : Max. 30mA
 CONSUMMATION DE COURANT TOTALE (2x Max. 15mA)
 ASSORBIMENTO DI CORRENTE TOTALE

INRUSH CURRENT
 EINSCHALTSTROM : ≤ 115mA (t ≤ 16µs)
 COURANT D'APPEL
 CORRENTE DI INSERIMENTO

THERMAL RANGE OF APPLICATION
 THERMISCHER ANWENDUNGSBEREICH : -40°C...+80°C
 PLAGE DE TEMPERATURE EN UTILISATION
 CAMPO TERMICO DI APPLICAZIONE

MEASURING RANGE : ABSOLUTE PRESSURE
 MESSBEREICH : ABSOLUTDRUCK
 ZONE DE MESURE : 0,85-12,85 bar PRESSION
 CAMPO DI MISURA : PRESSIONE

ADMISSIBLE OVERPRESSURE
 ZULAESSIGER UEBERDRUCK : 16 bar
 ADMISSIBLE SURPRESSION
 AMMISSIBILE SOVRAPRESSIONE

PORT
 ANSCHLUSS : DIN 72 585
 ORIFICE
 ORIFIZIO

OFFSET:
 OFFSET : 1V
 DEPLACEMENT DE VALEURS:
 DIFFERIMENTO DEL VALORI DI MISURA:

SENSITIVITY
 EMPFINDLICHKEIT : 250 mV/bar
 SENSIBILITE
 SENSIBILITA

LINEARETY
 LINEARITAET : <±0.3%FS
 LINEARITE
 LINEARITA

HYSTERESIS
 HYSTERESE : <±0.2%FS
 HYSTERESIS
 ISTERESI

THERMAL RANGE OF CONTINUOUS APPLICATION:
 THERMISCHER DAUERANWENDUNGSBEREICH: -40°C....+65°C
 PLAGE DE TEMPERATURE EN UTILISATION CONTINUE:
 COMPO DI APPLICAZIONE CONTINUA:

RESISTANCE TO HEAT:
 WAERMEBESTAENDIGKEIT: MAX.+80°C
 RESISTANCE A LA CHALEUR:
 RESISTANZA AL CALORE:

MAX. PERMISSIBLE FREQUENCY
 MAX. ZULAESSIGE FREQUENZ : 50 Hz
 MAX. ADMISSIBLE FREQUENZA
 MAX. AMMISSIBILE FREQUENZA

MEDIUM: COMPRESSED AIR
 MEDIUM: DRUCKLUFT
 FLUIDE: AIR COMPRIME
 FLUIDO: ARIA COMPRESSA

MAX. PERMISSIBLE ACCELERATION:
 MAX. ZULAESSIGE BESCHLEUNIGUNG: ±15xg
 ACCELERATION MAX. ADMISSIBLE:
 ACCELERAZIONE MAX. AMMESSA:

WORKING PRESSURE:
 BETRIEBSDRUCK: p_emax.=13bar
 PRESSION DE SERVICE:
 PRESSIONE D' ESERCIZIO:

INSTALLATION POSITION AS DRAWN
 EINBAULAGE WIE GEZEICHNET
 POSITION D' INSTALLATION SUIVANT DESSIN
 POSIZIONE DI MONTAGGIO COME DISEGNATO

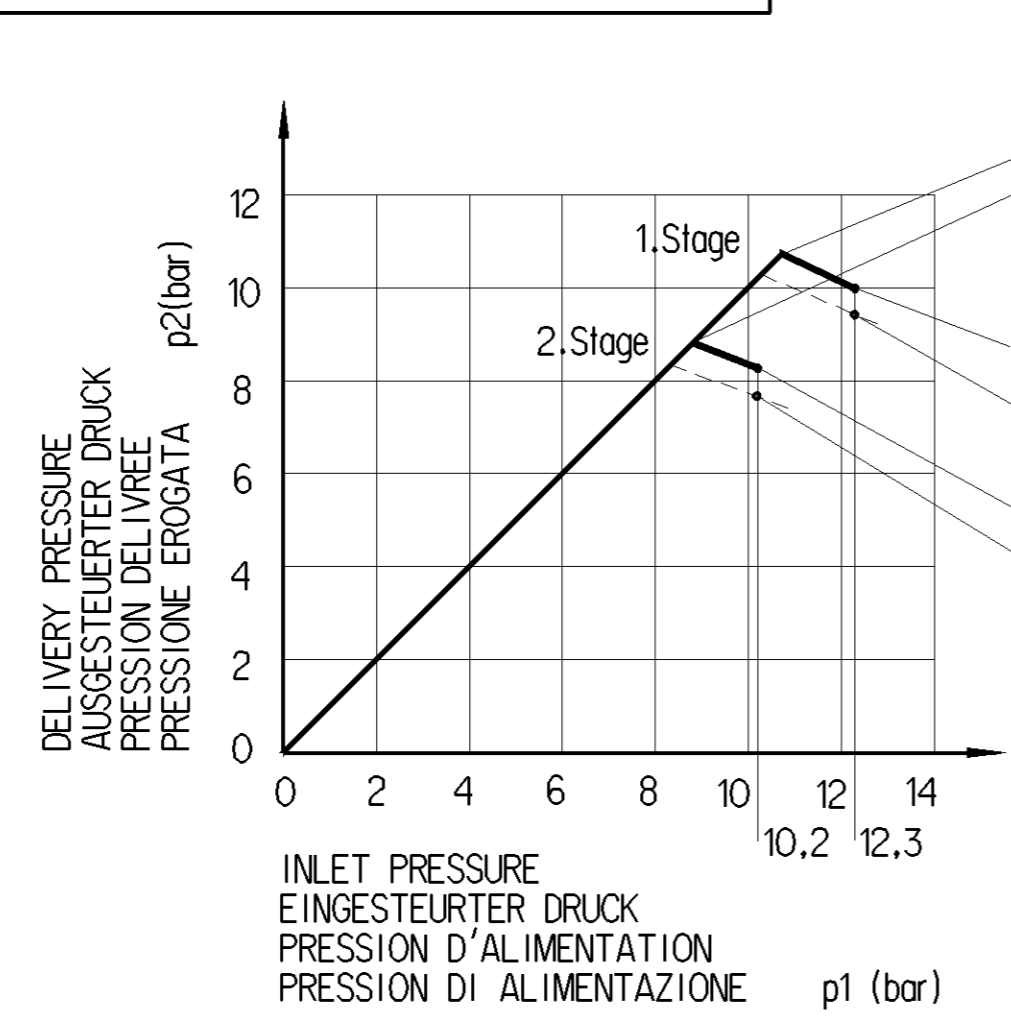
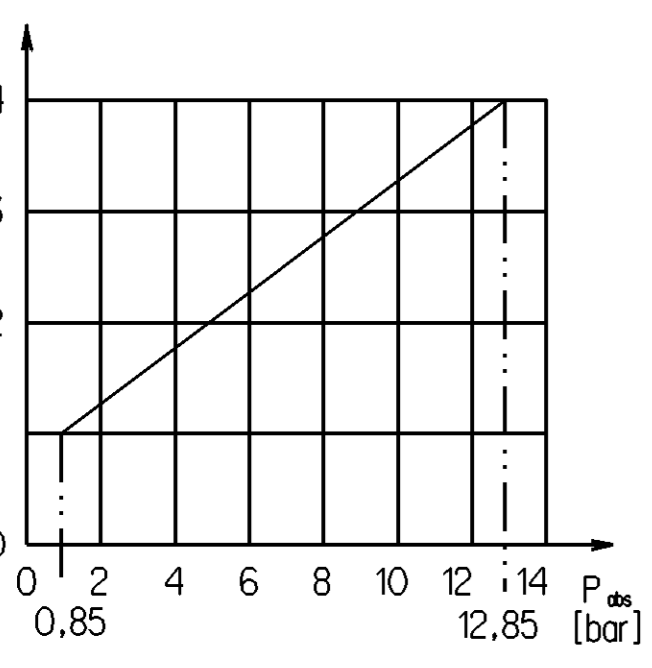
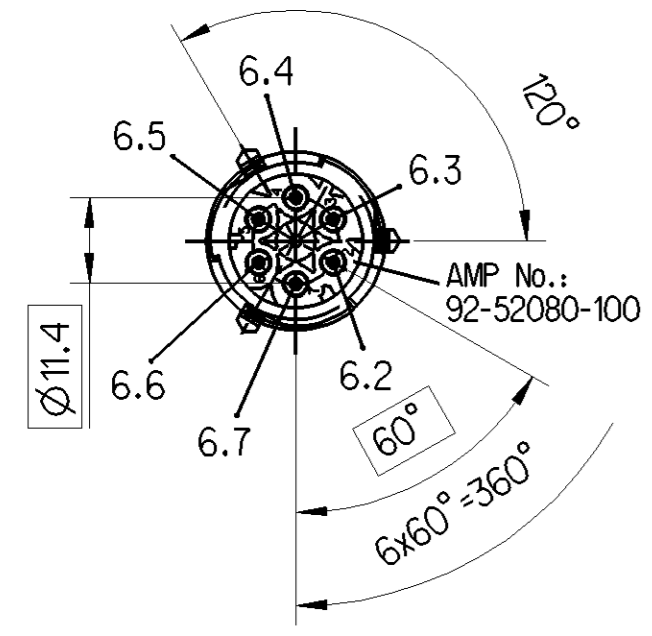
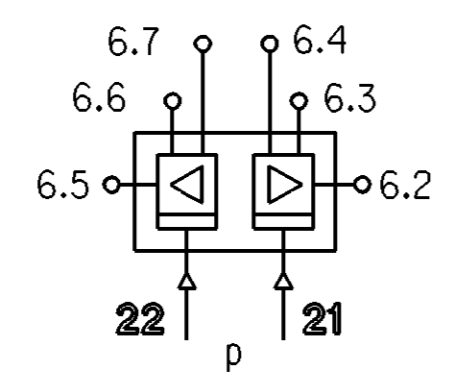
COMBINED UNLOADER:
 DRUCKREGLER: 12 ± 0.3 bar
 REGULATEUR DE PRESSION:
 GRUPPO DI REGOLAZIONE:
 CUT OUT PRESSURE:
 ABSCHALTDRUCK: 1.5±0.25 bar
 PRESSION DE FERMETURE:
 PRESSIONE DI CHIUSURA:
 OPERATING RANGE:
 SCHALTSPANNE:
 PLAGE DE REGULATION:
 GAMME DI REGOLAZIONE:

| | | | | | | |
|--|---------------------------------------|--------|-----|---------------------------------------|--------|-----|
| CIRCUIT KREIS CIRCUIT CIRCUITO | 21 | | | 22 | | |
| CONTACT KONTAKT CONTACT CONTATTO | 6.2 | 6.3 | 6.4 | 6.5 | 6.6 | 6.7 |
| FUNCTION FUNKTION FONCTION FUNZIONE | OUTPUT AUSGANG SORTIE USCITA | +5 VDC | 0V | OUTPUT AUSGANG SORTIE USCITA | +5 VDC | 0V |

| PROTECTION VALVE SCHUTZVENTIL | OPENING PRESSURE OEFFNUNGSDRUCK dyn. | CLOSING PRESSURE SCHLIESSDRUCK dyn. | PRESSURE LIMITING DRUCKBEGRENZUNG p2 = F(p1): | OVERFILL VALUE UEBERFUELLWERT | PRESSURE DRUCK (bar) |
|----------------------------------|--|---|---|----------------------------------|-------------------------|
| CIRCUIT KREIS | 1+2 | 9 0 -0.3 | > 7.0 | 10±0.2 (12.3) | < 11.8 |
| | 3+4 | 7.5 0 -0.3 | > 4.5 | 8.5 0 -0.4 (10.2) | < 9.8 |

SEQUENCE OF FILLING (SYSTEM UNPRESSURIZED):
 AUFFUELLREIHENFOLGE (ANLAGE DRUCKLOS):

P1 > 7.2 BAR AND P2 > 3 BAR WHEN P3 = 1 BAR OR
 UND WENN WENN ODER
 P2 > 7.2 BAR AND P1 > 3 BAR WHEN P3 = 1 BAR
 UND WENN WENN



PRESSURE LIMITATION BY FIRST DELIVERY
 DRUCKBEGRENZUNG BEIM ERSTEN AUFFUELLEN
 LIMITATION PENDANT UNE PREMIERE REMPLISSAGE
 LIMITAZIONE COL PRIMO RIEMPRIMENTO

PRESSURE LIMITATION AFTER CONSUMPTION
 DRUCKBEGRENZUNG NACH VEBRAUCH
 LIMITATION APRES CONSOMMATION
 LIMITAZIONE DI PRESSIONE DOPO CONSUMO

MINIMUM PRESSURE INCLUDING MAX HYSTERESIS
 MINIMALER DRUCK INCLUSIVE MAX HYSTERESE

| | | | | | |
|---|-------|----------------------|---------------|---|--------------|
| General Specification: JED-334-1, Size ISO 14405 LP | | Copyright WABCO® | | ProVia | |
| Further Technical Data: | | Date | Signature | AIR PROCESSING UNIT DRUCKLUFTAUFBETEUUNG | |
| Doc. Code | Sheet | To | Drawn | UNITE COMPACTE | |
| General Tolerances JED-261 | | 2018-10-04 | Kolkowski | UNITE COMPATTA | |
| Range of Nominal Dimensions (± mm) | | 2018-10-05 | Marcinkiewicz | | |
| Class | 1) | ≤ 50 | > 50 ≤ 180 | > 180 ≤ 400 | > 400 |
| Fine | | 0.5 | 1.0 | 1.5 | 2.0 |
| Medium | | 1.0 | 2.0 | 3.0 | 4.0 |
| Coarse | | 2.0 | 3.5 | 5.0 | 6.5 |
| Tapped Holes acc. - | | Mass | | Scale | Material No. |
| 1) Tolerance Class Applied Crossmarked | | 5.9 xG | | 1:1 (2:1) | 2016-07-20 |
| | | Size | | CAD System | Doc.Code |
| | | A 2 | | CREO | 005 |
| | | ECN-No. | | Revision | Techn. Resp. |
| | | 177205 | | 6 x C | 5110_AM |
| | | Date of first issue: | | Language | Sheet |
| | | 2016-07-20 | | ML | 2/2 |
| | | Replacement for | | | |

Non e permesso, concesso o terzi o riproduzione questo documento, ne utilizzare il contenuto o renderlo comunque noto o terzi senza autorizzazione esplicita. Ogni infrazione costituisce un evidente abuso e comportera il risarcimento dei danni subiti. E' fatta riserva di tutti i diritti derivanti da brevetti o modelli.
 Copying of this document and giving it to others and the use or communication of the contents thereof, are forbidden without express authority. Contravention of this restriction will constitute an evident abuse and result in a liability to the payment of damages. All rights are reserved in the event of the grant of patent or registration of a utility model or design. This document is the subject of copyright.
 Toute communication ou reproduction de ce document, toute exploitation ou communication de son contenu sont interdites, sauf autorisation expresse. Tout manquement a cette regle constitue un abus evident et expose son auteur au versement de dommages et interets. Tous droits de proprieite industrielle reserves, notamment en matiere de brevets et de modesles.
 Weitergabe sowie Vervielfaltigung dieser Unterlagen, Verleihen und Mitteilen ihres Inhalts nicht gestattet, soweit nicht ausdreslich ansonstern, weitergegeben, zweckbindend, stellen einer offentlichen Mitnutzung dar und verpflichten zu Schadenersatz. Alle Rechte hier den Fall der Patentierung oder Gebrauchsmuster-Eintragung vorbehalten.